

24' x 68' Classroom

Building Details:

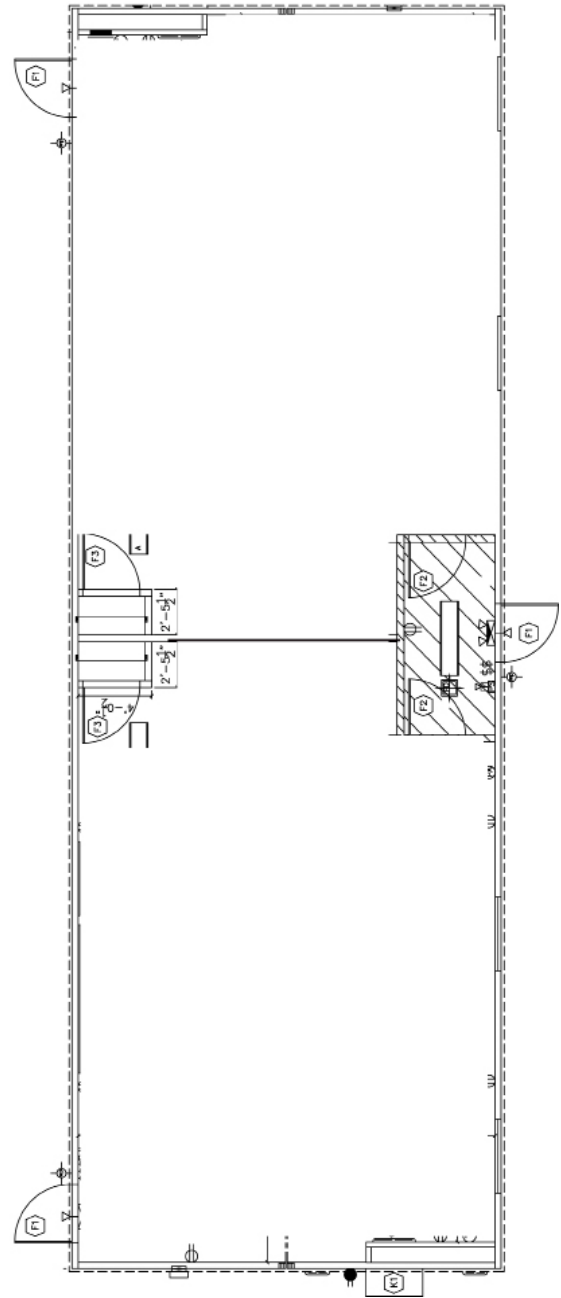
Asset #: CR00227
State Seal: KY, MO
Building Size: 24 x 68
Square Footage: 1632
Occupancy: E - Education
Roof Load: 30 PSF
Wind Load: 90 MPH
Floor Load: 40 PSF
Electrical: Single Phase / 100 AMP Panel/ 120/240 Volts

Exterior Details:

Siding Material: Smart Panel
Roofing Material: .060 EPDM
Frame: Perimeter
Doors: (2) Single
Windows: 4
HVAC: 3 Ton / 15 kw Heat Strip

Interior Details:

Wall Finish: Vinyl Covered Gypsum
Floor Finish: Carpet
Ceiling: Gypsum Board



**This building is subject to availability. The details provided are for informational purposes only and are not guaranteed. For detailed specifications, drawings and pricing contact your local representative.