

24' x 68' Classroom

Building Details:

Asset #: CR235, 237, 238 307-310

State Seal: KY, MO

Building Size: 24 x 68

Square Footage: 1632

Occupancy: E - Education

Roof Load: 30 PSF

Wind Load: 90 MPH

Floor Load: 40 PSF

Electrical: Single Phase / 100 AMP Panel / 120/240 Volts

Exterior Details:

Siding Material: Smart Panel

Roofing Material: .60 EPDM

Frame: Perimeter

Doors: (2) Single

Windows: 4

HVAC: 3 Ton / 15kw Heat Strip

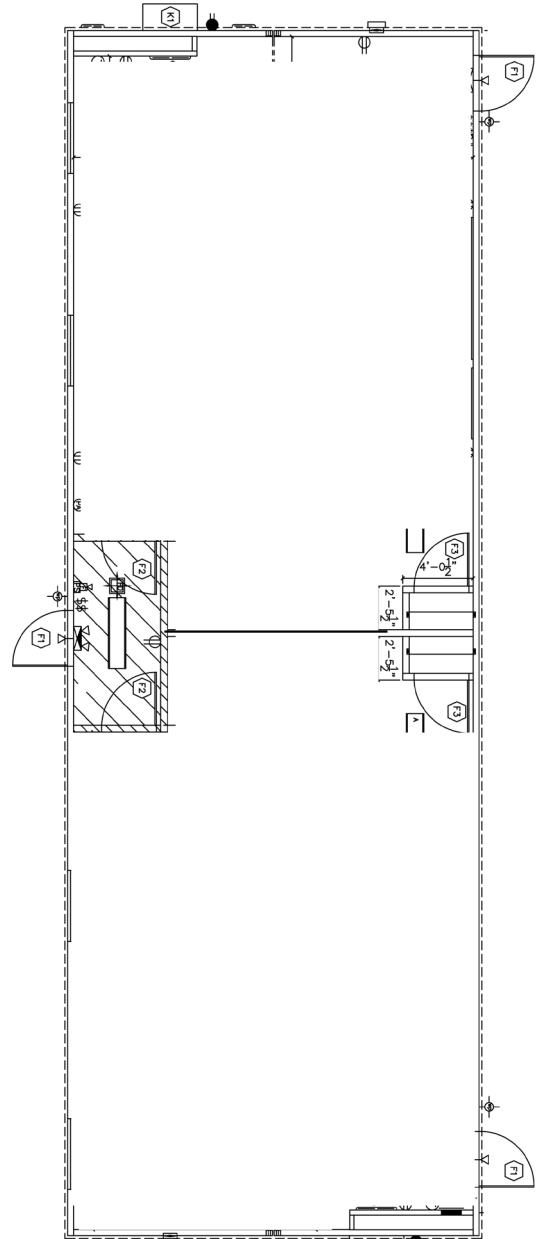
Interior Details:

Wall Finish: Vinyl Covered Gypsum

Floor Finish: Carpet

Ceiling: Gypsum Board

Restrooms: 2



**This building is subject to availability. The details provided are for informational purposes only and are not guaranteed. For detailed specifications, drawings and pricing contact your local representative.