

Type: Office
Quantity: One
Number: MO00012

Building Details

Seal: VA, NJ, MD, NC
Size: 288' x 120'
Square Footage: 34,560
Occupancy: B - Business
Roof Load: 30 PSF
Wind Load: 130 MPH
Floor Load: Control Room - 200 PSF
Remainder - 100 PSF
Electric: 1 phase / (1) 120/240 Volts
(9) 150 AMP Panels
(41) 100 AMP Panels

Exterior Details

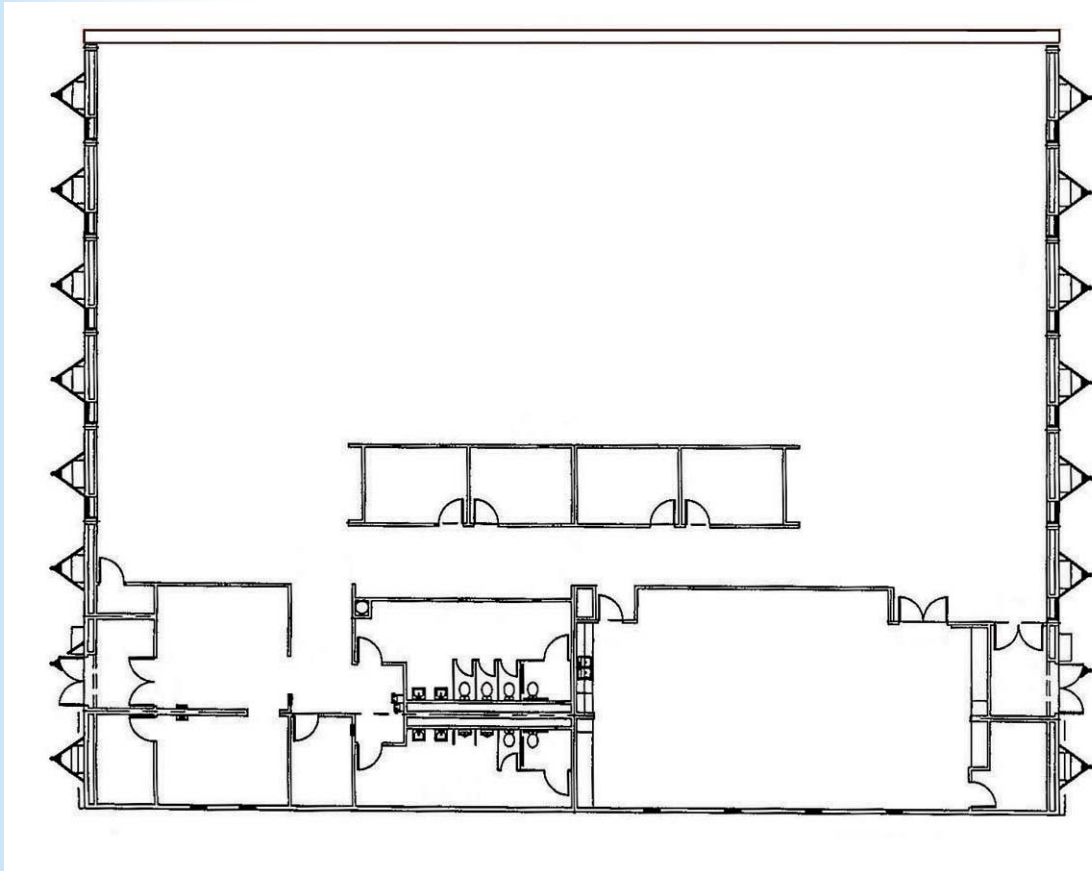
Siding: Hardi-Panel / 8"
Roof: .045 EPDM (White)
Frame: Perimeter
Windows: (47) 30" x 54"
Doors: (4) Double (1) Single
HVAC: (48) 3 Ton / 10 kw Heat Strip
Wall Mount

Interior Details

Wall Finish: Vinyl Covered Gypsum
Flooring: Restroom - Vinyl Covered Tile
Remainder - Carpet
Lighting: 2x4 Fluorescent Lay-in
Restrooms: (4) Multi-Stall
Ceiling: T-Grid
Additional Features: Sprinklers

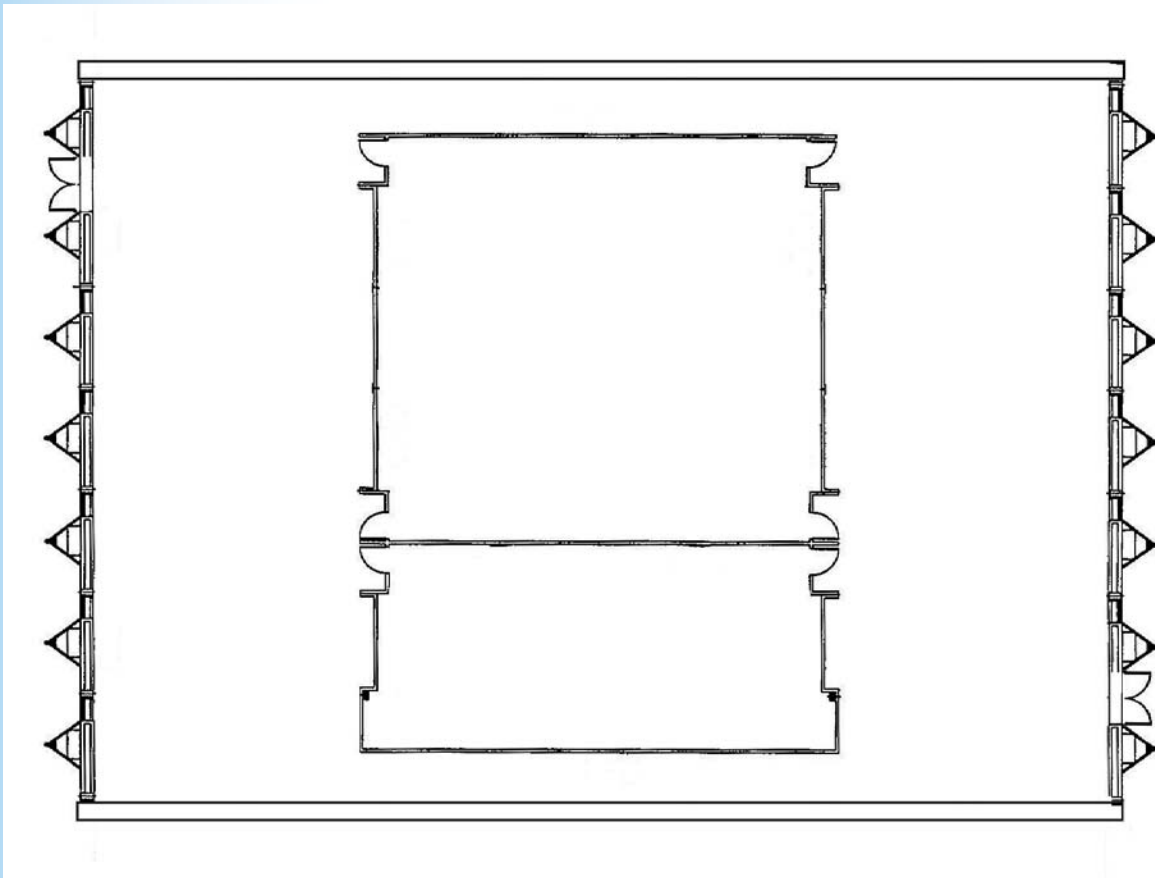


Type: Office
Quantity: One
Number MO00012 A
Size: 96' x 120'
Square Footage: 11520



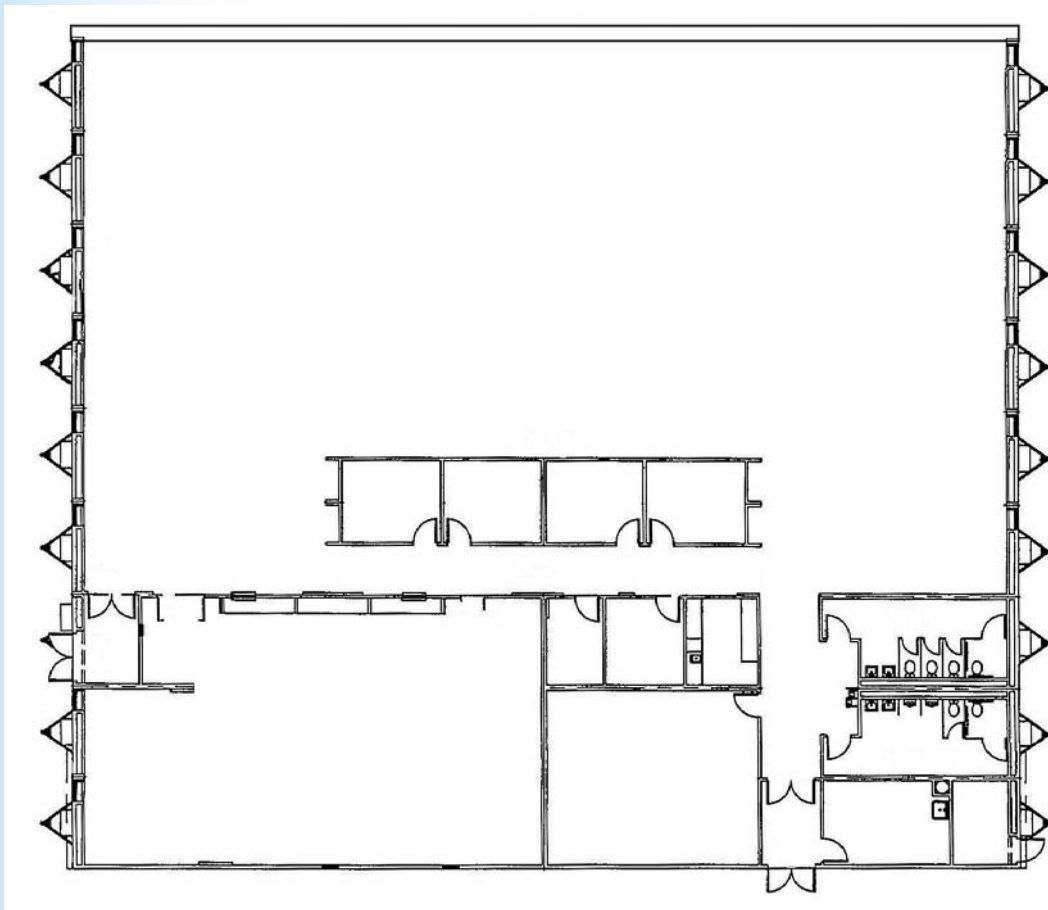


Type: Office
Quantity: One
Number MO00012 B
Size: 84' x 120'
Square Footage: 10080





Type: Office
Quantity: One
Number MO00012 C
Size: 108' x 120'
Square Footage: 12960





Type: Office
Quantity: One
Number: MO00012
Size: 288' x 120'
Square Footage: 34,560

